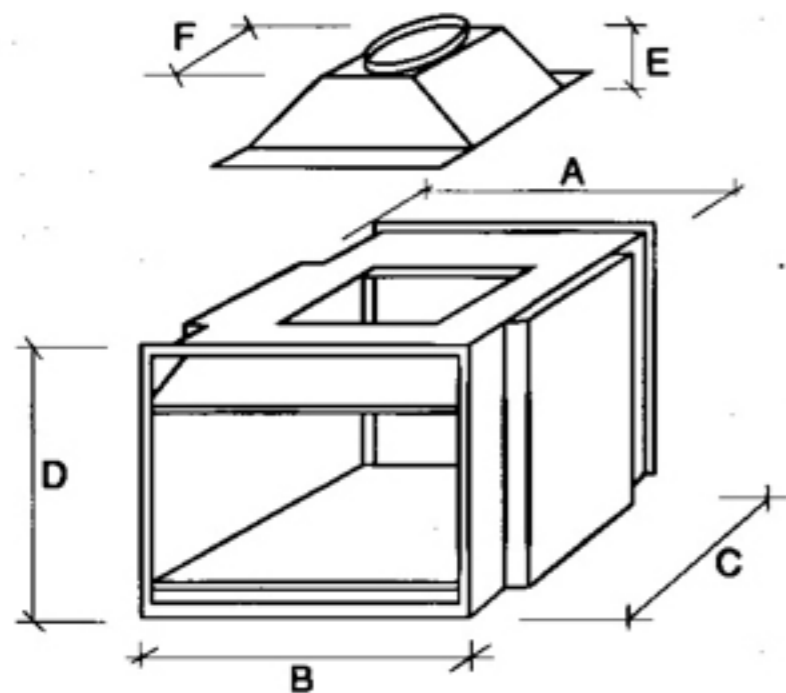


# JETMASTER DOUBLE-SIDED.



Dimensions in mm.

Heating capacity  
Cu. Metres

MODEL	A	B	C	D	E	F	Wood
700	850	800	610	700	220	345	200
1050	1090	1150	600	770	233	415	300