

THIS MANUAL CONTAINS INSTRUCTIONS FOR ASSEMBLY AND INSTALLATION

Please read this entire manual before you assemble,  
install and use the Kemplan Lowline Cantilever.

# KEMLAN LOWLINE CANTILEVER

## Specification and Installation Instructions

## TABLE OF CONTENTS

### **Safety Notes**

Before Installation	3
Important Safety Notes	3
Ventilation Requirements	4

### **Product Information**

Dimensions	5
------------	---

### **Framing Dimensions**

Frame out into Room	6–8
Installation Procedure	9
Gas Connection	9
Flue Termination	9
Summary taken from Gas Installations Australian Standards	10

### **Warranty**

**back cover**

For Service and Spare Parts contact Kemlan on (07) 3263 8488.

**Before Installation**

The Horizon Series shall be installed only by authorised personnel in accordance with the manufacturer's installation instructions, local gas fitting regulations, municipal building codes, electrical wiring regulations, and any other statutory regulations.

Contact your local building authorities about restrictions and installation inspections that may be required. If in doubt contact your local dealer or Kemlan's head office.

**Important Safety Notes**

- RISK OF FIRE! Do not burn materials inside this Horizon Lowline. This is NOT a wood stove and has not been designed for this purpose. Burning materials inside the Horizon Lowline can result in damage in the unit, house fire and/or death.
- Comply with all minimum clearances to combustibles as shown in this manual and in the Gas Burner installation instructions.
- Do not connect to any air distribution duct or system.
- Do not operate without fully assembling all components. Operating your Gas Burner and Horizon Lowline without all the components properly assembled will void your warranty and could present a serious safety hazard.
- An approved gas cowl with a minimum cross-section of 40,000 sq mm must be fitted to the top of the flue or chimney.
- All open gas fires require fixed fresh air vents in the room. See page 4 for ventilation requirements.
- Air movement systems – A decorative gas log fire must not be installed where the operation of any ventilation system, fan or air blower could under any circumstances cause the air pressure to be less than atmospheric at the appliance, or otherwise adversely affect the operation of the appliance.
- Do not block or restrict chimney or flue opening.
- After installing the appliance, check that the chimney/flue system draws well.
- Kemlan recommends that all gas fires be serviced every year.
- All gas units must be fitted by a licensed gas fitter.
- It is the responsibility of the gas fitter to follow the regulations set out in the Gas Code that dictate the procedures to follow when installing a gas appliance, particularly regarding gas pipe sizing and checking of pressures.  
(See summary page 10.)
- For installation of the gas burner, see instruction manual supplied with gas burner.

**IMPORTANT – PLEASE NOTE**

Failure of the gas fitter to install the appliance as per manufacturer's specifications and in line with the Gas Code will void the Warranty.

**Ventilation Requirements**

Rooms with gas open fires require fresh air vents as per gas regulations.

For example:

1 OFF: WOODFLOW VENT



SCALE 1:20

or: 2 OFF VENTS REQUIRED



SCALE 1:20

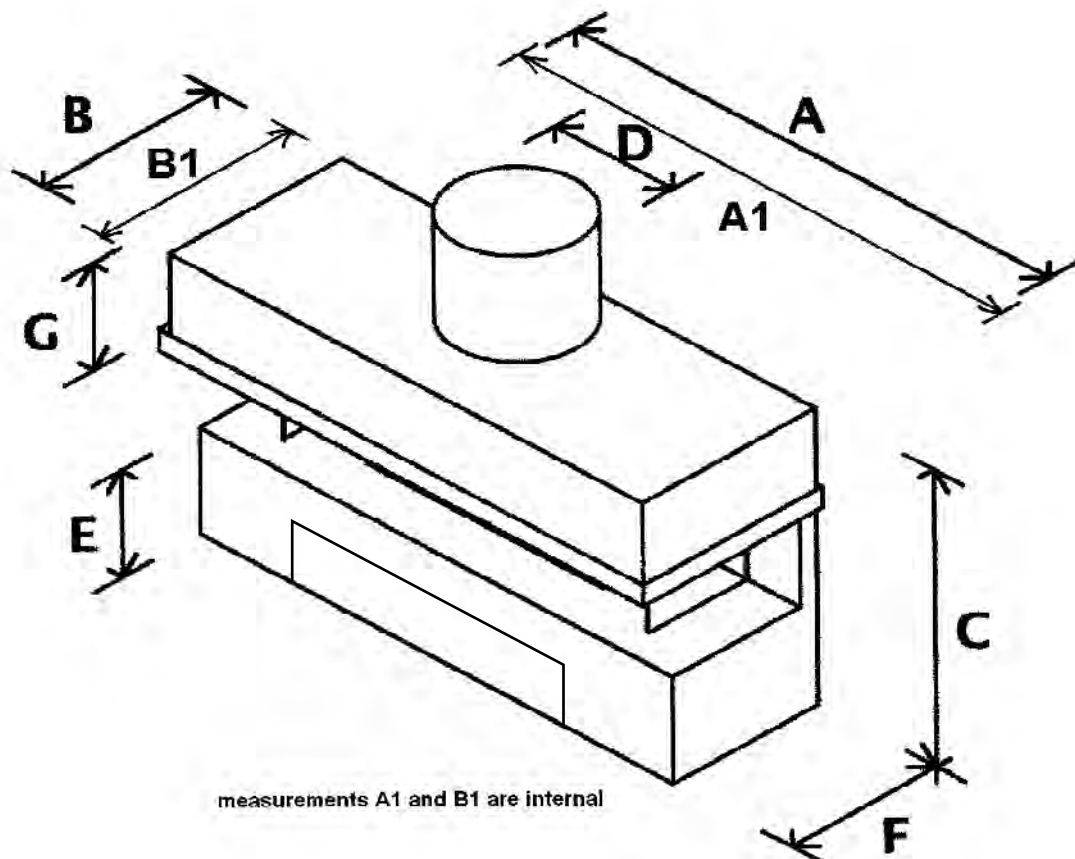
Ventilation – An opening to outside with a minimum free ventilation area of 400 sq centimetres shall be provided for each decorative gas log fire.

Note: The chimney in which the appliance is installed is not to be considered as a ventilation opening.

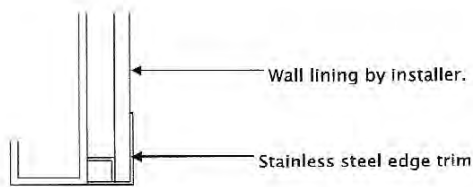
**Specifications (dimensions in millimetres)**  
 Horizon Cantilever

HORIZON MODEL	A	A <sub>1</sub>	B	B <sub>1</sub>	C	D	E	F	G	HEAT CAPACITY
Freestanding	1190	1266	440	478	695	176	175	405	250	Ambient

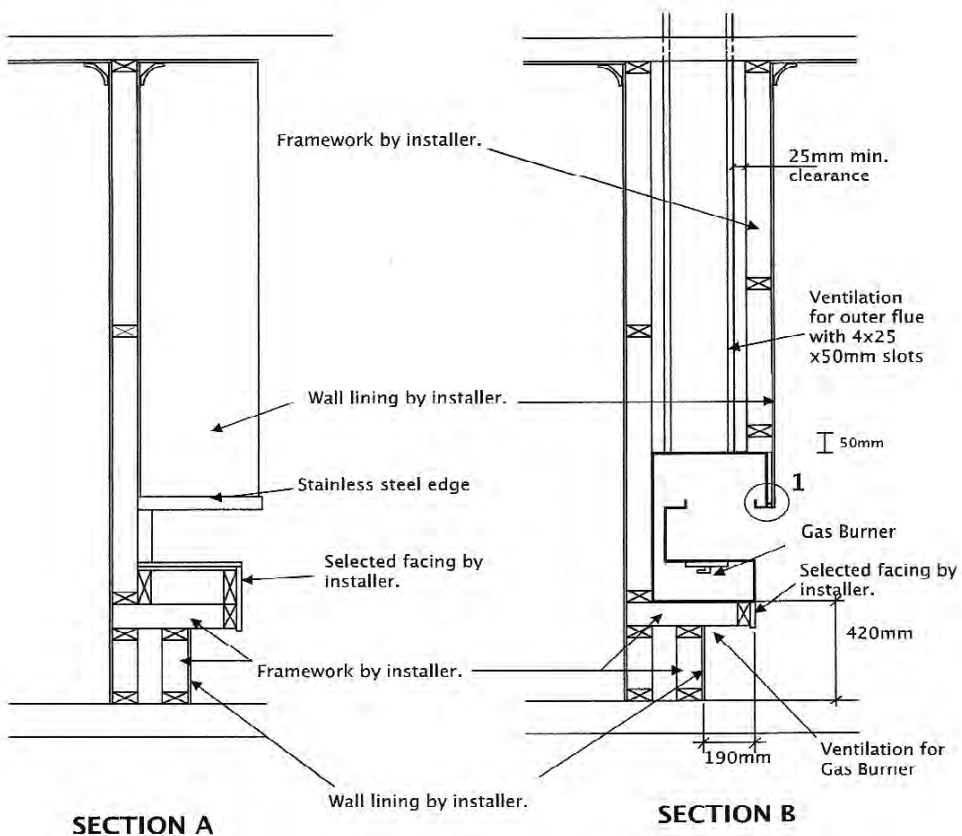
The gas connector is at right hand back rear (facing unit).



**Horizon Lowline Cantilever – Typical Frameout into room Installation**  
 Interior & exterior; timber frame house

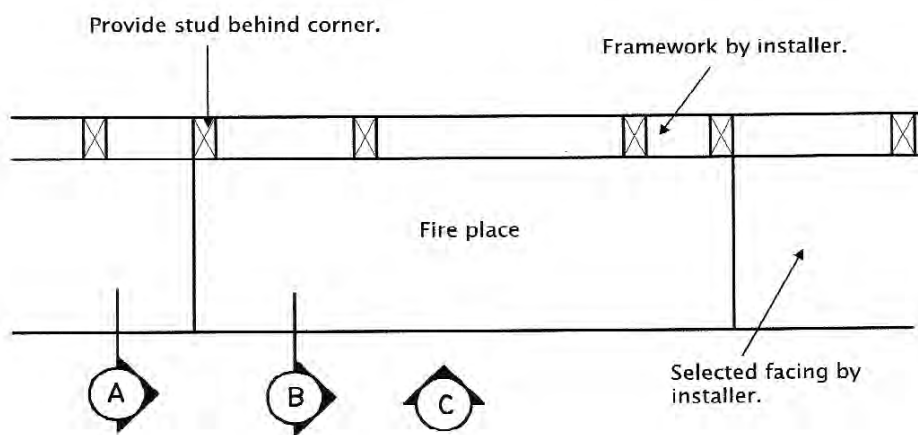


**DETAIL 1**

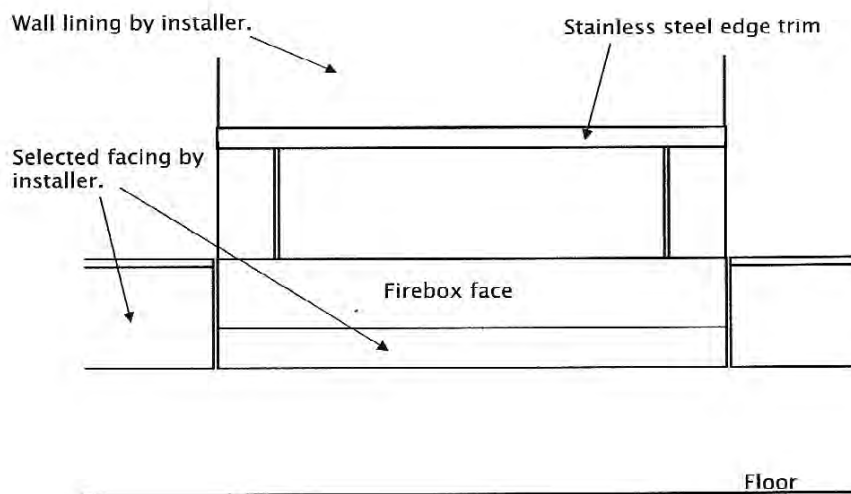


**Cantilever**

**Horizon Lowline Cantilever – Typical Frameout into room Installation**  
 Timber frame house



PLAN



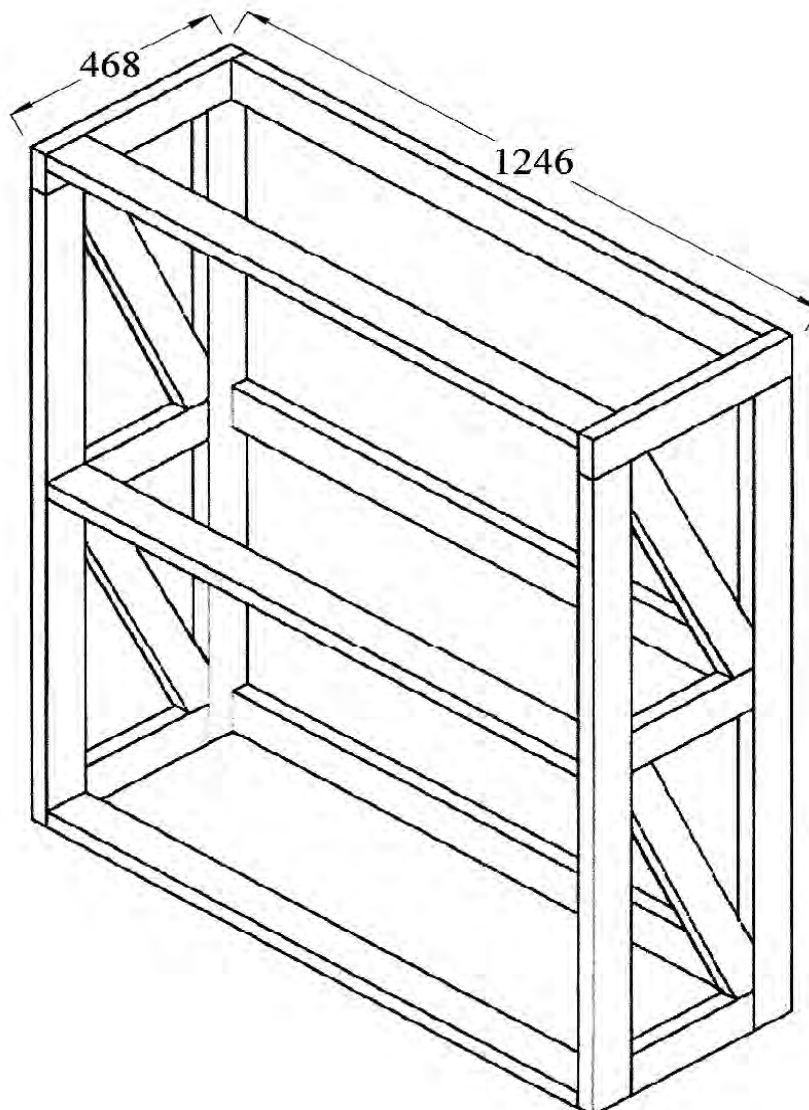
ELEVATION C

**Horizon Lowline Cantilever – Typical Frameout into room Installation**

Frame work from above unit to ceiling for a typical frameout into room installation.

Leave space of 50mm between bottom of framing and top of Cantilever.

Height of framing will vary with ceiling height and height of unit from floor.





**TIMBER CONSTRUCTION – INSTALLATION PROCEDURE**

- 1 Build frame to specification provided.
- 2 Unit to be located on 10mm fibre cement sheeting.
- 3 Non-combustible hearth if unit is placed lower than 500mm from timber floor. Hearth should measure 300mm from front of unit.
- 4 (NB) Unit and flues installed prior to plaster.
- 5 Gas line run to desired position, prior to plaster.
- 6 Rivet stainless flues at each joint. Use 3 x 25mm self tapping screws to provide space between inner and outer flue.
- 7 Provide 4 x 25mm slots in outer flue for ventilation. Ensure flues are ventilated top and bottom.
- 8 Minimum height for flue is 3.6m.
- 9 Minimum 25mm clearance to outer flue from combustible material.
- 10 Room ventilation required for all open fire gas systems. (See p4.)

**Gas**

To be performed by an authorised person.

Prepare the gas connection as detailed in the Gas Burner Installation Instructions. The gas line is to enter the right hand side of the recess to align with the gas inlet as shown on pages 5 & 6.

**Flue Termination**

The Flue Terminal shall be located so that wind from any direction is not likely to create a down draught in the flue. A Flue Cowl, AGA Approved to AG604 must be fitted to the end of the flue pipe. The minimum flue length must not be shorter than 3.5 metres. Maintain a minimum of 500mm from the bottom of the flue cowl to the nearest part of the roof if the flue cowl is at least 1m from a neighbouring structure. If less than 1m, the flue terminal must be located at least 500mm above that structure. Refer to AS5601 – 2000 (AGB601) sections 5.13.6.2 and 5.13.6.4 to ensure that the location of the flue terminal fully complies for installations with a trafficable roof, a chimney, another flue terminal or near any openings into a building.

### SUMMARY TAKEN FROM THE GAS INSTALLATIONS AUSTRALIAN STANDARDS AS5601-2002 AND AG601-2002

Important: This is a summary only. The Gas Fitter must refer to the Gas Installations Australian Standards in detail.

#### Appendix F Sizing Consumer Piping

##### – New Consumer Piping Systems

When sizing a new consumer piping system, consideration should be given to foreseeable future needs.

##### – Existing Consumer Piping Systems

When an additional appliance is to be connected to an existing consumer piping system, the existing piping, metre and regulator should be checked to ensure that adequate capacity is available for the additional load.

##### – Information Required Prior To Pipe Sizing

The following information is required prior to pipe sizing:

- a. The type of gas, including the heating value and relative density.
- b. The gas consumption of each appliance.
- c. An allowance, if any, where there is a probability that not all appliances will be used at the same time.
- d. The pressure available at the start of the consumer piping.
- e. The allowable pressure drop shall be such as to ensure that at least the minimum inlet pressure required by the appliance is available at the appliance.
- f. The proposed layout of the consumer piping system including all pipe lengths and the location of each appliance.

THIS MANUAL CONTAINS INSTRUCTIONS FOR ASSEMBLY AND INSTALLATION

Please read this entire manual before you assemble,  
install and use the Kemlan Lowline Cantilever.

### **Warranty**

**GAS BURNER** – Provided that the gas burner has been installed according to instructions Kemlan guarantee the cost of replacing parts and labour in connection therewith for a period of 12 months from the date of installation.

**HORIZON FIREBOX** – Provided firebox is installed according to instructions Kemlan guarantee replacing for a period of 5 years from the date of installation.

This warranty does not cover:

- Failure to comply with manufacturer's operation instructions.
- Normal wear and tear or damage caused by incorrect installation.
- Any form of corrosion to the painted finish of the heater.
- Damage to the glass (if fitted), if the damage is caused by impact or misuse.
- The cost of collection and delivery of the heater and/or parts.



Head Office: 59 Pineapple Street  
(PO Box 259) Zillmere Qld 4034  
Telephone: (07) 3263 8488  
Facsimile: (07) 3263 6452  
[www.kemlan.com](http://www.kemlan.com)

### **INSTALLER'S NOTE:**

Please discuss all relevant safety issues with the owner and pass the operating instructions on to the owner after the installation has been tested and signed off by the local municipality as a safe installation.