

THIS MANUAL CONTAINS INSTRUCTIONS FOR ASSEMBLY AND INSTALLATION

Please read this entire manual before you assemble,
install and use the Kemlan Horizon Lowline Series.

KEMLAN HORIZON LOWLINE SERIES

700 DOUBLE SIDED

Specification and Installation Instructions

TABLE OF CONTENTS

Safety Notes

Before Installation	3
Important Safety Notes	3
Ventilation Requirements	4

Product Information

Dimensions	5-6
Framing Dimensions	7-8

Installation

Installation Procedure	9
Gas Connection	9
Flue Termination	10
Summary taken from Gas Installations Australian Standards	10

Warranty

back cover

For Service and Spare Parts contact Kemlan on (07) 3263 8488.

Before Installation

The Horizon Series shall be installed only by authorised personnel in accordance with the manufacturer's installation instructions, local gas fitting regulations, municipal building codes, electrical wiring regulations, and any other statutory regulations.

Contact your local building authorities about restrictions and installation inspections that may be required. If in doubt contact your local dealer or Kemlan's head office.

Important Safety Notes

- RISK OF FIRE! Do not burn materials inside this Horizon Lowline. This is NOT a wood stove and has not been designed for this purpose. Burning materials inside the Horizon Lowline can result in damage in the unit, house fire and/or death.
- Comply with all minimum clearances to combustibles as shown in this manual and in the Gas Burner installation instructions.
- Do not connect to any air distribution duct or system.
- Do not operate without fully assembling all components. Operating your Gas Burner and Horizon Lowline without all the components properly assembled will void your warranty and could present a serious safety hazard.
- An approved gas cowl with a minimum cross-section of 40,000 sq mm must be fitted to the top of the flue or chimney.
- All open gas fires require fixed fresh air vents in the room. See page 4 for ventilation requirements.
- Air movement systems – A decorative gas log fire must not be installed where the operation of any ventilation system, fan or air blower could under any circumstances cause the air pressure to be less than atmospheric at the appliance, or otherwise adversely affect the operation of the appliance.
- Do not block or restrict chimney or flue opening.
- After installing the appliance, check that the chimney/flue system draws well.
- Kemlan recommends that all gas fires be serviced every year.
- All gas units must be fitted by a licensed gas fitter.
- It is the responsibility of the gas fitter to follow the regulations set out in the Gas Code that dictate the procedures to follow when installing a gas appliance, particularly regarding gas pipe sizing and checking of pressures.
(See summary page 10.)
- For installation of the gas burner, see instruction manual supplied with gas burner.

IMPORTANT – PLEASE NOTE

Failure of the gas fitter to install the appliance as per manufacturer's specifications and in line with the Gas Code will void the Warranty.

Ventilation Requirements

Rooms with gas open fires require fresh air vents as per gas regulations.

For example:

1 OFF: WOODFLOW VENT



SCALE 1:20

or: 2 OFF VENTS REQUIRED



SCALE 1:20

Ventilation – An opening to outside with a minimum free ventilation area of 400 sq centimetres shall be provided for each decorative gas log fire.

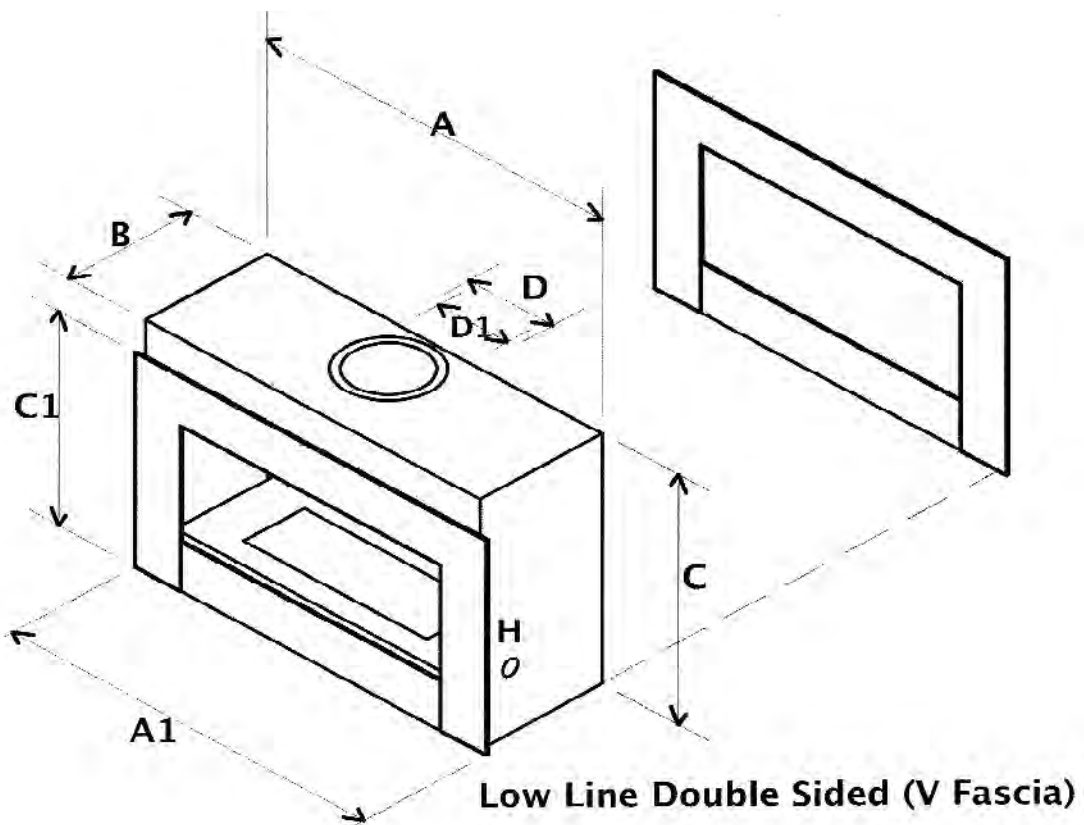
Note: The chimney in which the appliance is installed is not to be considered as a ventilation opening.

Specifications (dimensions in millimetres)

Horizon 700 Lowline – Double Sided – with V-Fascia (3mm mild steel)

HORIZON MODEL	A	A1	B	C	C1	D	D1	HEAT CAPACITY
Double Sided	1006	1000	340	670	580	228	176	Ambient

H indicates the gas connector – 125mm from back of appliance (with controls) and 80mm up from base.

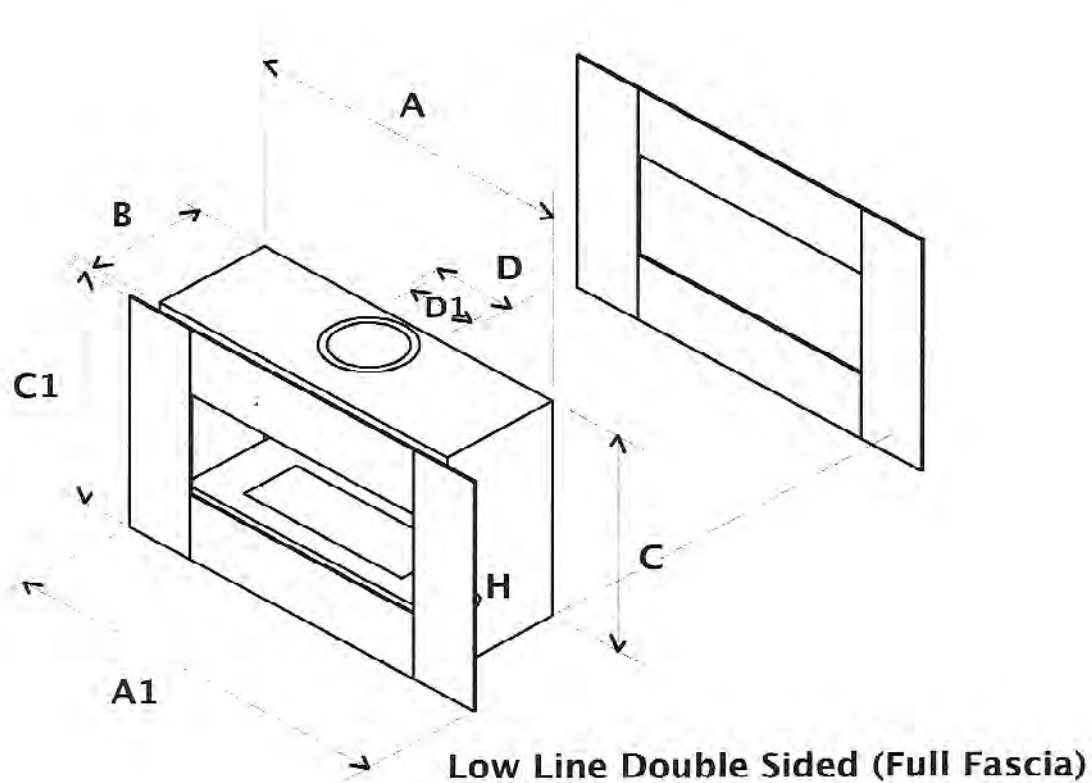


Specifications (dimensions in millimetres)

Horizon 700 Lowline – Double Sided – with Full Fascia (zincanneal or stainless steel panles)

HORIZON MODEL	A	A1	B	C	C1	D	D1	HEAT CAPACITY
Double Sided	1006	1165	340	670	745	228	176	Ambient

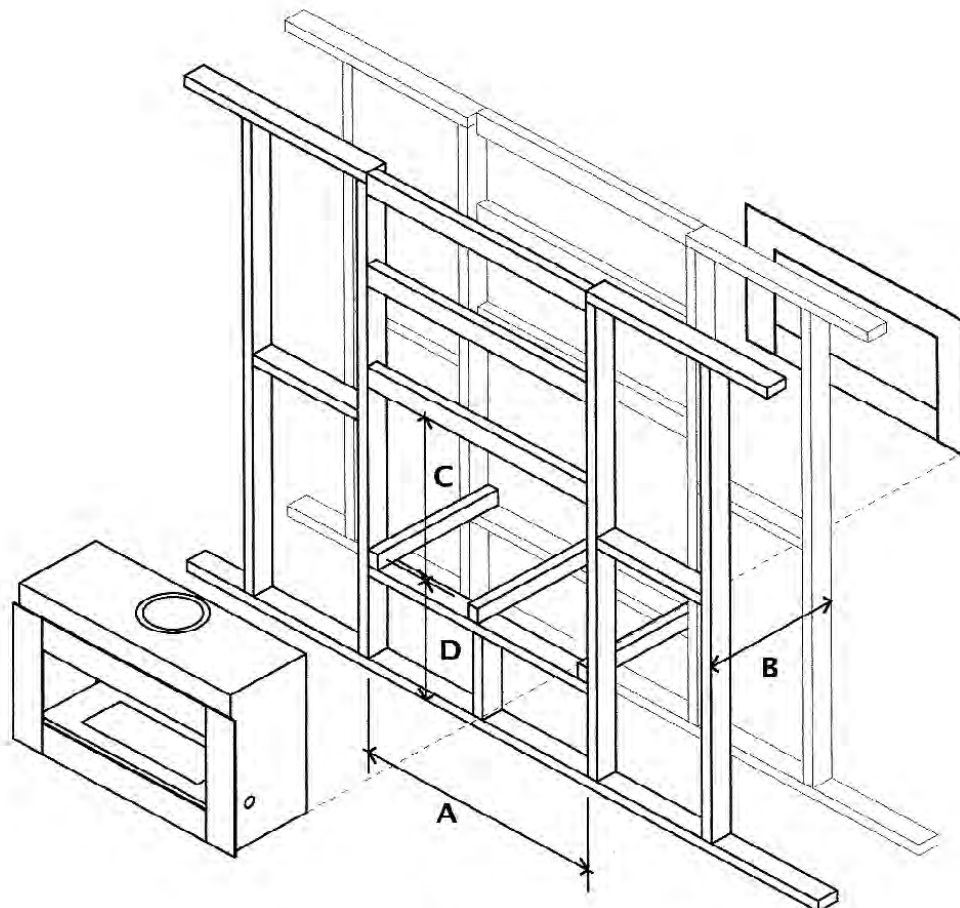
H indicates the gas connector – 125mm from back of appliance (with controls) and 80mm up from base.



Framing Dimensions (dimensions in millimetres)
 Horizon 700 Lowline – Double Sided
 (With V-Fascia; 3mm mild steel.)

HORIZON MODEL	A	B	C	D (MIN)
700 Double Sided	1056	352	720	150

The measurement **B** is based on 10mm wall board being used.



Lowline Double Sided (V-Fascia)

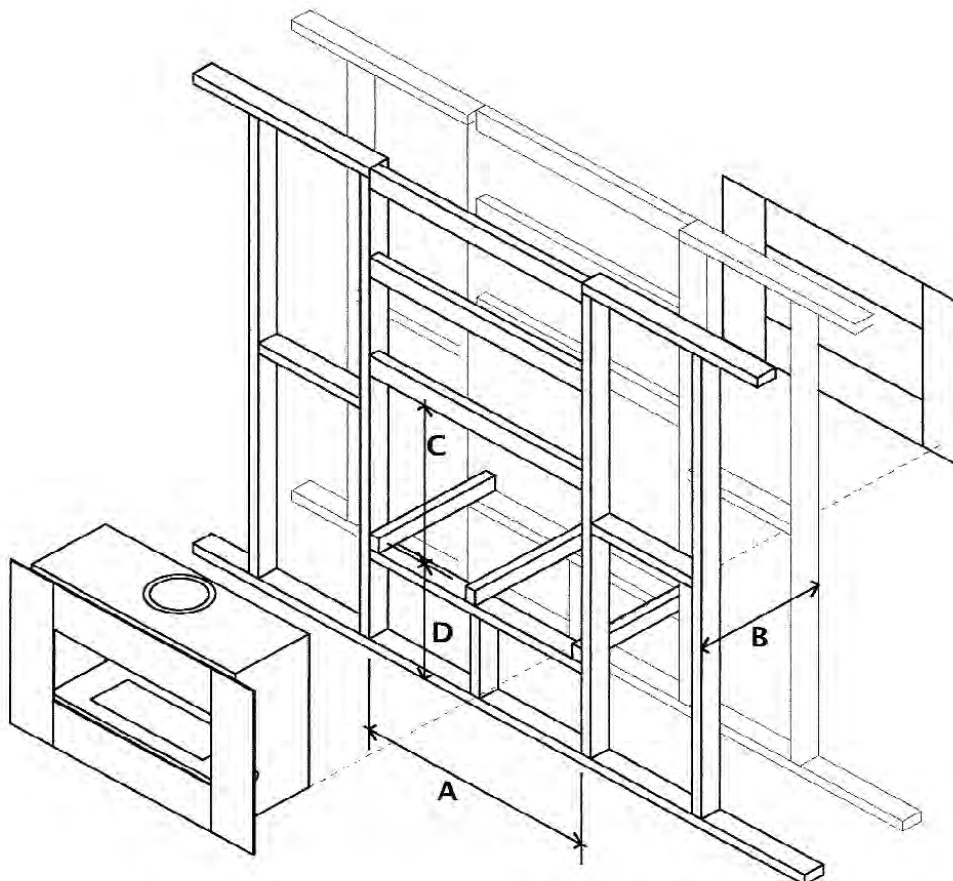
Framing Specifications (dimensions in millimetres)

Horizon 700 Lowline – Double Sided

(With Full Fascia; ZA or SS panels.)

HORIZON MODEL	A	B	C	D (MIN)
700 Double Sided	1056	360	720	150

The measurement **B** is based on 10mm wall board being used.



Lowline Double Sided (Full Fascia)

TIMBER CONSTRUCTION – INSTALLATION PROCEDURE

- 1 Build frame to specification provided. Stud on edge to provide 25mm clearance to flue on double sided units. (See Frame Specifications.)
- 2 Unit to be located on 10mm fibre cement sheeting.
- 3 A minimum height of 150mm from floor needs to be provided to accommodate fascia.
- 4 Non-combustible hearth if unit is placed lower than 500mm from timber floor. Hearth should measure 300mm from front of unit.
- 5 (NB) Unit and flues installed prior to plaster.
- 6 Gas line run to desired position, prior to plaster.
- 7 Rivet stainless flues at each joint. Use 3 x 25mm self tapping screws to provide space between inner and outer flue.
- 8 Provide 4 x 25mm slots in outer flue for ventilation. Ensure flues are ventilated top and bottom.
- 9 Minimum height for flue is 3.6m.
- 10 Minimum 25mm clearance to outer flue from combustible material.
- 11 V Fascia and Full Fascia fitted to unit to allow for 10mm plasterboard.
- 12 Double sided units fitted with one removable fascia.
- 13 Room ventilation required for all open fire gas systems. (See p4.)

Gas

To be performed by an authorised person.

Prepare the gas connection as detailed in the Gas Burner Installation Instructions. The gas line is to enter the right hand side of the recess to align with the gas inlet as shown on page 6.

Flue Termination

The Flue Terminal shall be located so that wind from any direction is not likely to create a down draught in the flue. A Flue Cowl, AGA Approved to AG604 must be fitted to the end of the flue pipe. The minimum flue length must not be shorter than 3.5 metres. Maintain a minimum of 500mm from the bottom of the flue cowl to the nearest part of the roof if the flue cowl is at least 1m from a neighbouring structure. If less than 1m, the flue terminal must be located at least 500mm above that structure. Refer to AS5601 – 2000 (AGB601) sections 5.13.6.2 and 5.13.6.4 to ensure that the location of the flue terminal fully complies for installations with a trafficable roof, a chimney, another flue terminal or near any openings into a building.

SUMMARY TAKEN FROM THE GAS INSTALLATIONS AUSTRALIAN STANDARDS AS5601-2002 AND AG601-2002

Important: This is a summary only. The Gas Fitter must refer to the Gas Installations Australian Standards in detail.

Appendix F Sizing Consumer Piping

– New Consumer Piping Systems

When sizing a new consumer piping system, consideration should be given to foreseeable future needs.

– Existing Consumer Piping Systems

When an additional appliance is to be connected to an existing consumer piping system, the existing piping, metre and regulator should be checked to ensure that adequate capacity is available for the additional load.

– Information Required Prior To Pipe Sizing

The following information is required prior to pipe sizing:

- a. The type of gas, including the heating value and relative density.
- b. The gas consumption of each appliance.
- c. An allowance, if any, where there is a probability that not all appliances will be used at the same time.
- d. The pressure available at the start of the consumer piping.
- e. The allowable pressure drop shall be such as to ensure that at least the minimum inlet pressure required by the appliance is available at the appliance.
- f. The proposed layout of the consumer piping system including all pipe lengths and the location of each appliance.

THIS MANUAL CONTAINS INSTRUCTIONS FOR ASSEMBLY AND INSTALLATION

Please read this entire manual before you assemble,
install and use the Kemlan Horizon Lowline Series.

Warranty

GAS BURNER – Provided that the gas burner has been installed according to instructions Kemlan guarantee the cost of replacing parts and labour in connection therewith for a period of 12 months from the date of installation.

HORIZON FIREBOX – Provided firebox is installed according to instructions Kemlan guarantee replacing for a period of 5 years from the date of installation.

This warranty does not cover:

- Failure to comply with manufacturer's operation instructions.
- Normal wear and tear or damage caused by incorrect installation.
- Any form of corrosion to the painted finish of the heater.
- The cost of collection and delivery of the heater and/or parts.



Head Office: 59 Pineapple Street
(PO Box 259) Zillmere Qld 4034
Telephone: (07) 3263 8488
Facsimile: (07) 3263 6452
www.kemlan.com

INSTALLER'S NOTE:

Please discuss all relevant safety issues with the owner and pass the operating instructions on to the owner after the installation has been tested and signed off by the local municipality as a safe installation.