

**B**rilliant heat  
**B**eautiful to watch



*Your first choice in wood and gas fires*

# It's easy to fit a Jetmaster into an existing fireplace.

When you're renovating a fireplace, a Jetmaster can dramatically increase heating efficiency and eliminate smoking problems. The Jetmaster system is based on a pre-fabricated mild steel firebox which is simply inserted into the existing fireplace.

Just measure the height, width and depth of the fireplace and choose the size you need from the chart on the back page. Since smoke and fumes go up your existing chimney you don't need a gather or flue. The installation usually only takes a few hours. If you're handy, you can do it yourself, or use our qualified installers.

And along with the hardware, Jetmaster also supplies fascias, extensions, surrounds, mantels, and trims. Everything you need to renew your old fireplace and make it work much better than ever before.



1. Measure the height, depth and the width of your fireplace recess.



2. Choose the appropriate firebox from a range of sizes



3. INSTALLATION COMPLETE: Jetmaster Universal, with marble margins, returns and hearth, and Pearce Dale 2-pack mantel

Create an impressive  
ambiance whether you're  
building or renovating



Jetmaster 1050 with Sedona mantel and hearth.



Jetmaster 700 see through model.



Jetmaster 850 with Bradshaw limestone mantel.



Jetmaster 600 freestanding installation.

There's no better time than when you're building to include a fireplace; it's the feature that always becomes the focus of the home. Building a full brick fireplace can be hit or miss, but by installing a Jetmaster, there's nothing for you or your builder to worry about.

The Jetmaster firebox includes a damper and smokesheff, so all the builder has to do is lay the bricks around it. It isn't essential to have a brick chimney either, it can be replaced by a double-skinned flue which can either be left visible or enclosed with plasterboard.

Because the Jetmaster system is self-contained and so easy to install, it will save you up to half the price of a full brick chimney.

What's even more reassuring is that every Jetmaster is unconditionally guaranteed for 15 years - to work beautifully. You get super efficient heating - no smoking - easy lighting - very little cleaning, plus the warmth and comfort of a Jetmaster fireplace.

# The beauty of Jetmaster wood and gas fires

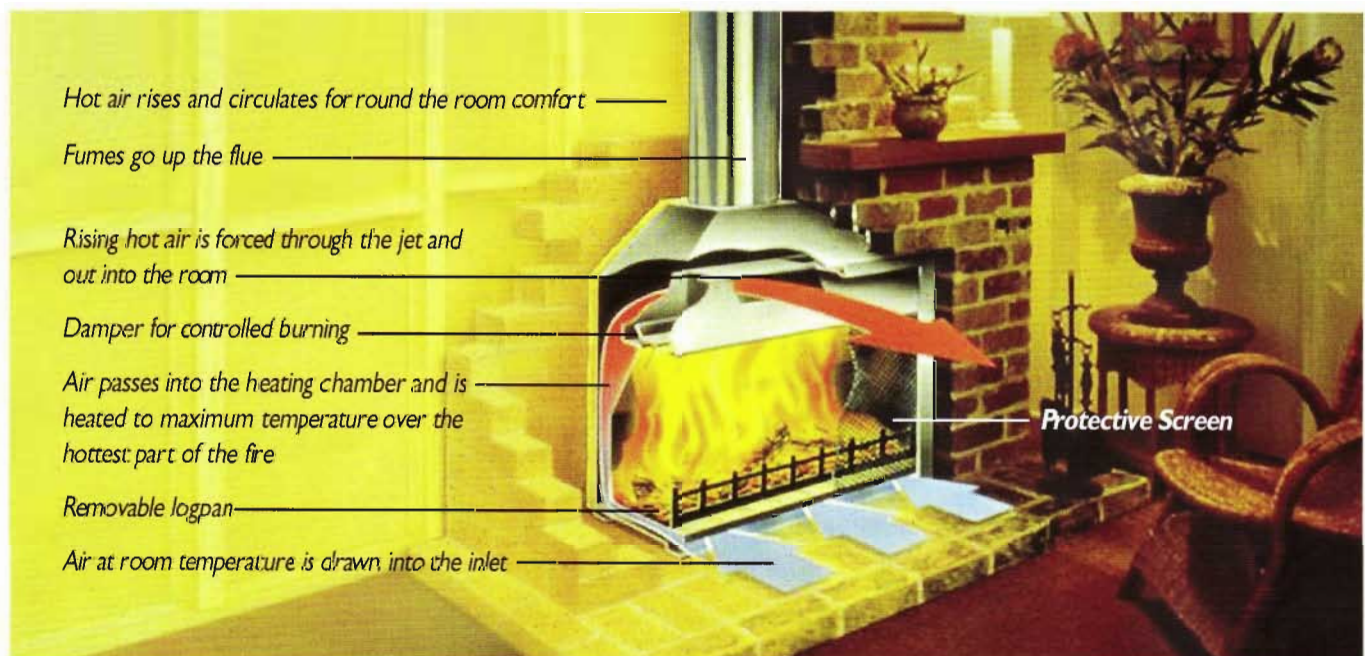
The Jetmaster system provides brilliant radiant heat from a super efficient fire that is designed to draw perfectly. At the same time it uses heat from the back of the fire, that would otherwise be lost, to create convected heat.

## EASY TO LIGHT, EASY TO CLEAN

Because wood is burnt down to such a fine ash, the log pan only needs to be cleaned once or twice a season.

## SCREENED FOR SAFETY

Child-proof and spark-proof, a flush fitting screen secures the fire, which may then be left unattended for burning overnight.



## RADIANT HEAT PLUS CONVECTED HEAT

Cool air is drawn into the intake at the base of the unit, is then heated as it passes through the heating chamber, and is then forced out into the room through the outlet at the top. This proven convection heating system is a feature of the Jetmaster system. The firebox also incorporates a damper control, which regulates the rate of burning, reduces heat loss and maximises overall efficiency.

## UP TO 5 TIMES MORE HEAT

Because of the damper system and the log burning pan, together with the excellent radiant and convected heat produced by the fireplace, the Jetmaster emits up to five times more heat than an average brick fireplace.

## SUPER ENERGY EFFICIENCY

The design of the Jetmaster log pan ensures the fire burns slowly for greater energy efficiency.

## CLEAN HEAT

Jetmaster has passed all the emission tests.

## DESIGNED NOT TO SMOKE

Precision designed and manufactured to avoid any smoking problems.

## UNCONDITIONALLY GUARANTEED

All Jetmaster fireboxes are unconditionally guaranteed for a period of 15 years.

## THE ONE STOP FIREPLACE SHOP

Jetmaster's range of traditional and modern fireplaces, surrounds and accessories includes everything you need for the perfect finish.

## ZERO CLEARANCE

Units are also available with a Zero Clearance option not requiring a brick enclosure - timber framework and plasterboard around the fireplace facilitate installation.

ALL JETMASTER FIRES BURN BOTH WOOD AND GAS AND CAN EASILY BE CONVERTED FROM ONE TO THE OTHER AN ANY STAGE.

\*Ryerson Polytechnical Institute, Toronto, Canada. 700D produces 1.5kw/51,000 BTU's within 46 minutes when burning wood.

A room without a fireplace is simply transformed.



Jetmaster 700S, limestone margins, returns and raised hearth, Mini Bouvier mantel



Jetmaster 700D with 100mm black trim

A Jetmaster wood fire can be easily fitted into any room without an existing fireplace. The beauty of an open fire and the super heating efficiency of a Jetmaster bring a whole new dimension to your home, resulting in a remarkable transformation.

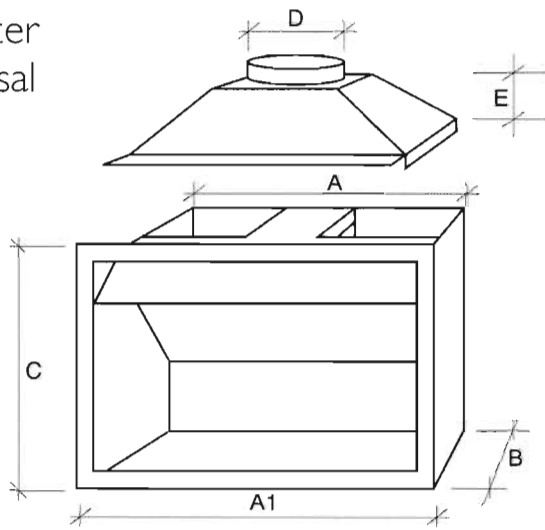
A Jetmaster fire can be positioned directly against a brick wall or, with a single skin brick surround against a stud wall. Or you can simplify the installation, and do away with the brickwork altogether, with the Jetmaster freestanding models. Either way, you can do it yourself, subcontract, or use a professional installer.

You'll find the right combination to compliment your decor perfectly from Jetmaster's range of fireplaces, surrounds and mantels... and the experienced Jetmaster staff can assist you with your particular design requirements.

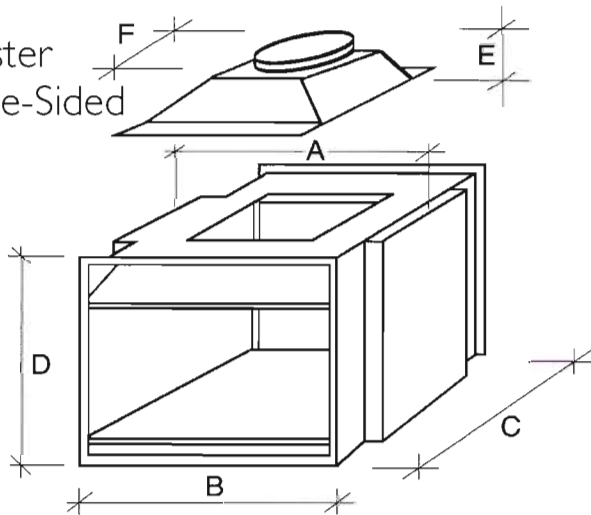


Jetmaster 700D in brick fireplace

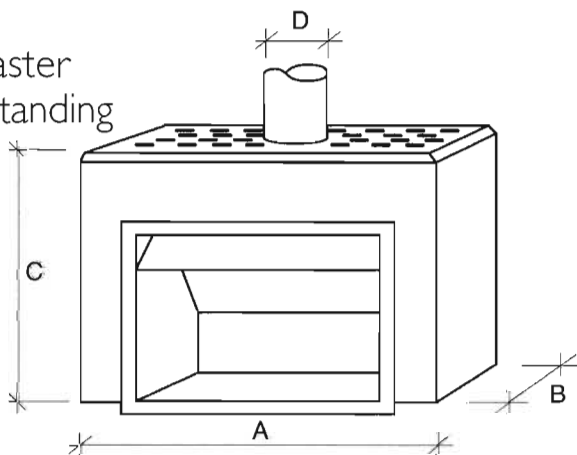
## Jetmaster Universal



## Jetmaster Double-Sided



## Jetmaster Freestanding



## Wood Approved

Jetmaster Fires have qualified for the National Certificate of Exemption for Solid Fuel Heaters. This certificate is issued under Section 14 of the relevant legislation in that the maximum Carbon Dioxide output from the combustion chamber is less than 5% of the volume of the appliance.

**NOTE:** All specifications on this page refer only to the Jetmaster Universal unit with a masonry/hebel installation. For specifications relating to Zero Clearance installations, contact your Jetmaster dealer.

MODEL	Dimensions in mm.						Heating capacity
	A	A1	B*	C	D	E	Cu. Meters Wood
440	470	510	330	610	200	200	75
500	570	600	350	650	200	200	85
600	670	700	350	650	200	200	100
600 LOW	670	700	350	600	200	200	100
700 SH	770	800	350	650	200	200	130
700 SHLOW	770	800	350	600	200	200	130
700D	770	800	400	700	225	200	160*
850	920	950	450	750	250	220	180
850 LOW	920	950	450	700	250	220	180
1050	1120	1150	500	800	300	240	220
1200	1250	1300	605	1020	250**	400	300
1500	1550	1600	605	1020	300**	400	350

\*Tested to 15Kw at maximum burning.

\*\*Requires 2 flue outlets (single flue option also available)

MODEL	Dimensions in mm.						Heating capacity
	A	B	C	D	E	F	Cu. Meters Wood
700	800	800	610	700	220	345	200
1050	1205	1150	600	770	233	415	300

MODEL	Dimensions in mm.				Heating capacity
	A	B	C	D	Cu. Meters Wood
600	1000	390	810	200	160
700SH	1050	390	810	200	180
700 D	1100	440	911	225	200
850	1200	490	983	250	240

### THE JETMASTER GUARANTEE

*Provided the Jetmaster Fireplace is installed according to Jetmaster instructions and a Jetmaster receptacle is used for fuel burning, the unit\* is unconditionally guaranteed for a period of 15 (fifteen) years from the date of installation of the fireplace.*

\*Not including the logpan.



**AGNEWS PTY LTD**

376 Swan Street,  
Richmond. VIC 3121

**T** 03-9426-2900

**F** 03-9426-2999

**E** info@agnews.com.au

**W** www.agnews.com.au