

HEAT & GLO™



ST-HVBI
See-Through Gas Log Fire

ST-HVBI-AU Specifications

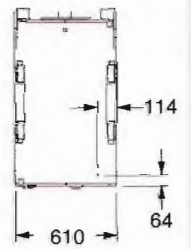
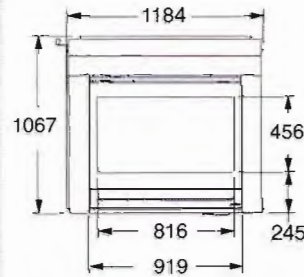
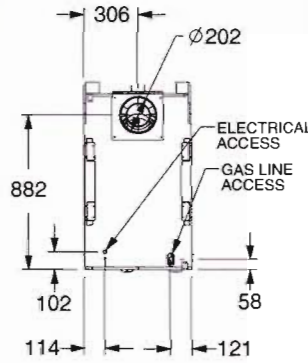
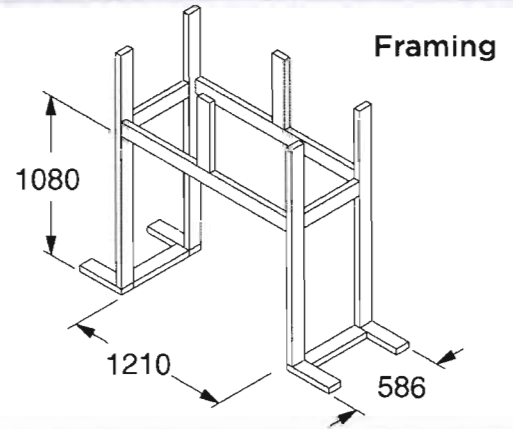
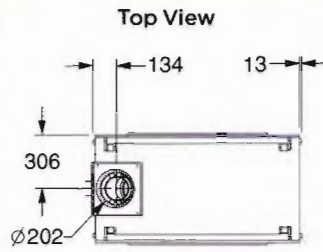


ST-HVBI-AU with 150mm 3 sided stainless steel trim



ST-HVBI-AU with 150mm 4 sided black trim

MODEL	HEIGHT		FRONT WIDTH		BACK WIDTH		DEPTH		VIEWING AREA	mJh INPUT		kWh OUTPUT	
	Actual	Framing	Actual	Framing	Actual	Framing	Actual	Framing		NG	LPG	NG	LPG
ST-HVBI-AU	1067	1080	1183	1210	1183	1210	610	586	815 x 455	44	43	8.6	8.4



Left Side View

Front View

Right Side View

Dimensions above are in millimetres and for reference only. We recommend measuring individual units at installation. Refer to installation manual for detailed specifications on installing this product. Heat & Glo reserves the right to update units periodically. The flame and ember appearance may vary based on the type of fuel burned and the venting configuration used. Photos in this brochure may vary in colour and dimension (size) from the actual product.

See Through Features

- Top or rear venting options provide installation flexibility
- Zero clearance provides ease of installation and cost savings
- IntelliFire Ignition System
- Variable valve allows you to adjust the flame height and heat output
- Realistic ceramic fibre campfire style logs
- Enjoy the ambiance of a fire from two rooms
- Balanced flue technology provides a sealed combustion chamber, maintaining indoor air quality
- Energy saving 70% efficiency with the authenticity of a traditional fire
- Standard dress guard with mesh provides clean lines and safety
- Variable speed fan with auto on/off
- 205mm top or rear venting
- A.G.A. Approval # 6027

IntelliFire Ignition System

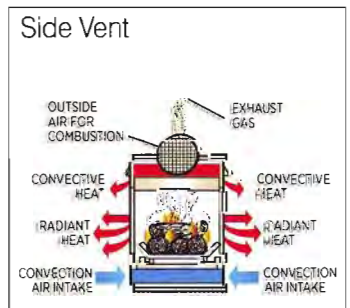
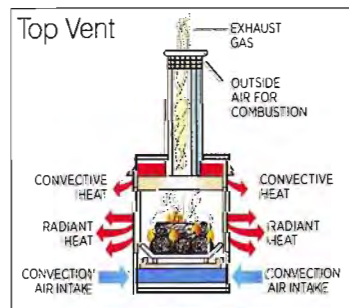
Our exclusive, state-of-the-art ignition system eliminates the need for a continuously burning pilot light and supplies back-up battery power during a power outage, reducing gas consumption and lowering operating costs. Never again will you manually light a pilot or bend down to start your fireplace.

Convenient Operation

Operate the fireplace, adjust the flame height and view the current room temperature all from the comfort of your chair. Whether you wish to have the fire greet you in the morning for that first cup of coffee or warm the room prior to your arrival home at night, simply program the start time and temperature—the Deluxe remote will do the rest.

Balanced Flue Gas Fireplace

A completely sealed system, Heat & Glo balanced flue gas fireplaces draw 100% of combustion air from the outdoors and exhaust all combustion byproducts back outside, with no effect on indoor air quality. In addition, cold air drafts are eliminated and heat output is maximized. Also requires no electricity, power venting or fan to operate and eliminates the need for a conventional chimney, allowing for installation in nearly any room of the home. TR technology, another Heat & Glo invention, allows for venting off the top or rear, providing even greater placement flexibility.



AGNEWS PTY LTD
 376 Swan Street,
 Richmond, VIC 3121
 T 03-9426-2900
 F 03-9426-2999
 E info@agnews.com.au
 W www.agnews.com.au

HEAT & GLO

