



HEAT & GLO™

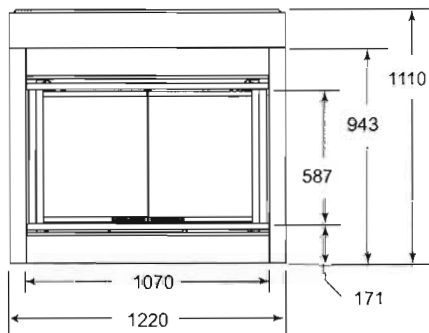
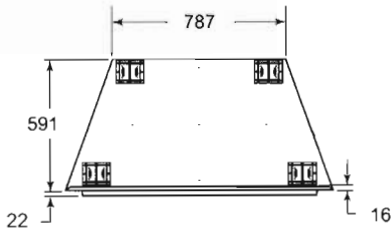


Dakota®  
Outdoor Gas Fireplace

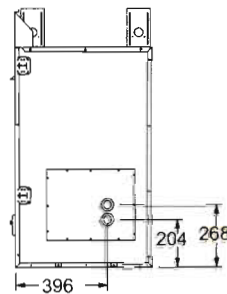
## Dakota Specifications

MODEL	HEIGHT		FRONT WIDTH		BACK WIDTH		DEPTH		VIEWING AREA	mJh Input	kWh OUTPUT
	Actual	Framing	Actual	Framing	Actual	Framing	Actual	Framing			
DAK-N-AU DAK-P-AU	1110	1120	1220	1245	787	1245	591	629	1070 x 587	NG - 54 LPG - 54	NG - 15 LPG - 15

Top View

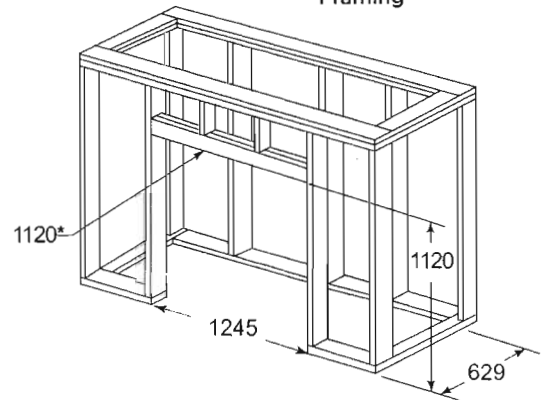


Front View



Right Side View

Framing



\*Header height.  
Use only noncombustible material below the top of the top standoffs.

Dimensions above are in millimeters and for reference only. We recommend measuring individual units at installation. Assumes the use of 13mm gyprock.

Refer to installation manual for detailed specifications on installing this product. Heat & Glo reserves the right to update units periodically. The flame and ember appearance may vary based on the type of fuel burned. Photos in this brochure may vary in color and dimension [size] from the actual product.

### Dakota Features

- Patented design requires no chimney, providing installation flexibility and cost savings
- Durable 304 grade stainless steel construction withstands the harshest of elements
- Clean design provides a true masonry appearance
- Traditional brick-look interior
- Stainless steel trimmed glass doors
- Weatherproof
- Standard outdoor remote control, child safety start and wall mount
- No electricity required
- AGA #7145

For complete information and valuable assistance on this model, please contact us at:



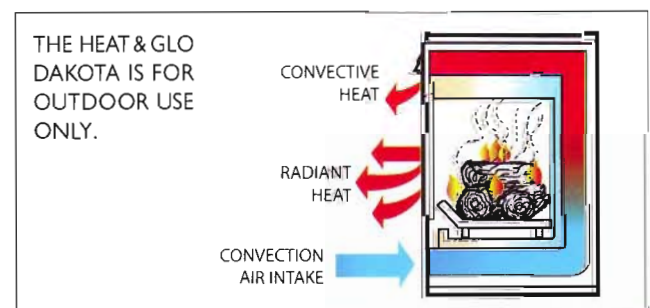
**AGNEWS PTY LTD**  
376 Swan Street,  
Richmond. VIC 3121  
T 03-9426-2900  
F 03-9426-2999  
E info@agnews.com.au  
W www.agnews.com.au

### Flip a Switch and Add a Room

Instantly transform the great outdoors into an outdoor great room. Just turn it on and transform an ordinary deck or patio into an extraordinary entertainment space. Dakota - the world's first outdoor gas fireplace - combines all the ease and convenience of a gas fireplace with weatherproof, stainless steel construction.

### IntelliFire Ignition system

Our state-of-the-art ignition system eliminates a continuously burning pilot light and does not require electricity, reducing gas consumption and lowering operating and installation costs. Never again will you manually light a pilot or bend down to start your fireplace.



**HEAT & GLO**  
Where everything comes together

