

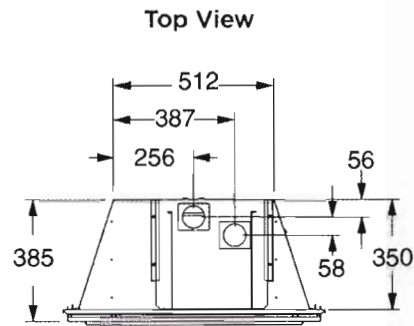
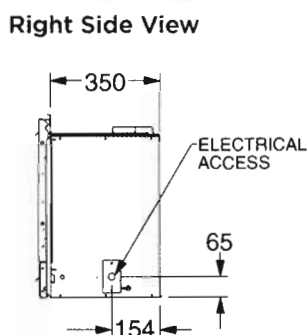
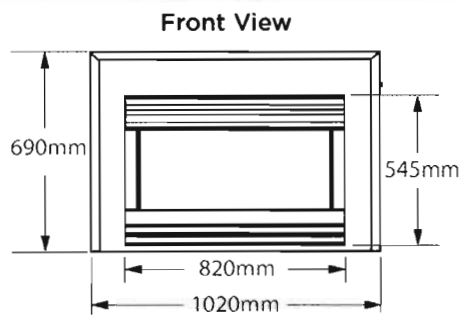
HEAT & GLO™



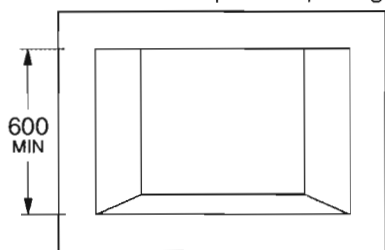
AT-SUPREME
Balanced Flue Gas Log Fire Insert

AT Supreme Specifications

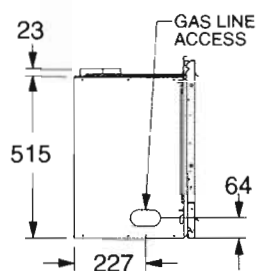
MODEL	HEIGHT	FRONT WIDTH	BACK WIDTH	DEPTH	VIEWING AREA	mJh INPUT		kWh OUTPUT	
ATS-AU-D	Actual	Actual	Actual	Actual	700 x 305	NG	32	NG	6.8
	538	820	512	350		LPG	32	LPG	6.8



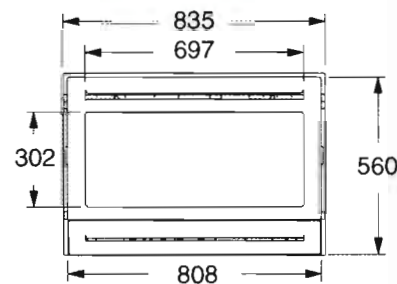
Minimum Fireplace Opening



WIDTH: 750mm with std. surround, 840mm with flush trim
DEPTH: 360mm with std. surround, 400mm with flush trim



Left Side View



Front View

Dimensions above are in millimeters and for reference only. We recommend measuring individual units at installation.

Refer to installation manual for detailed specifications on installing this product. Heat & Glo reserves the right to update units periodically. The flame and ember appearance may vary based on the type of fuel burned and the venting configuration used. Photos in this brochure may vary in color and dimension [size] from the actual product.

AT Supreme Features

- Balanced flue technology provides a sealed combustion chamber, maintaining indoor air quality
- Realistic ceramic fibre 'Campfire' style logs
- Energy saving 76% efficiency with the authenticity of a traditional fire
- Variable valve allows you to adjust the flame height and heat output
- Variable speed fan with auto on/off
- Dual 75mm flexible flues allow for easier retro-fit installation
- Optional wall switch, wall thermostat or remote control offers true convenience - never bend down again to start your fireplace
- AGA #5543



AT SUPREME with square pattern fascia, stained and polished Richmond mantelpiece with modern corbels.



AT SUPREME with standard black surround over face brickwork.

Restore the Warmth and Romance

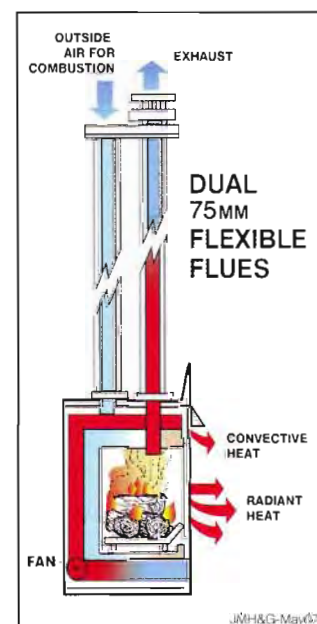
A Heat & Glo gas insert offers the ambience and nostalgia of a traditional woodburning fireplace, but without the hassle of chopping and burning wood. A Heat & Glo insert is airtight, which means it will not leave you with a drafty room or alter your indoor air quality. It also has one of the highest efficiency ratings in the industry, providing an economical solution to your heating needs.

Convenient Control Options

A variety of controls are available. Whether you choose a wall switch, remote control or programmable wall thermostat, you are sure to find the right balance of compatibility and convenience, providing you with total control, even in the event of a power outage.

Balanced Flue Gas Insert

A completely sealed system, the Heat & Glo balanced flue gas insert draws 100% of combustion air from the outdoors and exhausts all combustion byproducts back outside, with no effect on indoor air quality. In addition, cold air drafts are eliminated and heat output is maximised. Also requires no electricity, power venting or fan to operate.



AGNEWS PTY LTD
376 Swan Street, Richmond. VIC 3121
T 03-9426-2900 F 03-9426-2999
E info@agnews.com.au W www.agnews.com.au

HEAT & GLO
Where everything comes together